



Roof Mount Condenser **CR-430**

Roof mount Air-conditioning condenser module

The CR-430 roof mounted condenser module has been designed to meet the demanding and varied needs of the Global HVAC market. The CR-430 with its attractive, lightweight, and low profile design provides improved condensing performance, reliability, and ease of installation as compared to its predecessors. The all steel powder coated cabinet construction provides unparalleled strength and reliability while the attractive TPO cover with inte-

grated stainless steel grills helps keep the weight down without sacrificing functionality or reliability. The system utilizes MCC's signature micro-channel heat exchanger (MCHX) coil technology that delivers maximum capacity through improved heat transfer performance.



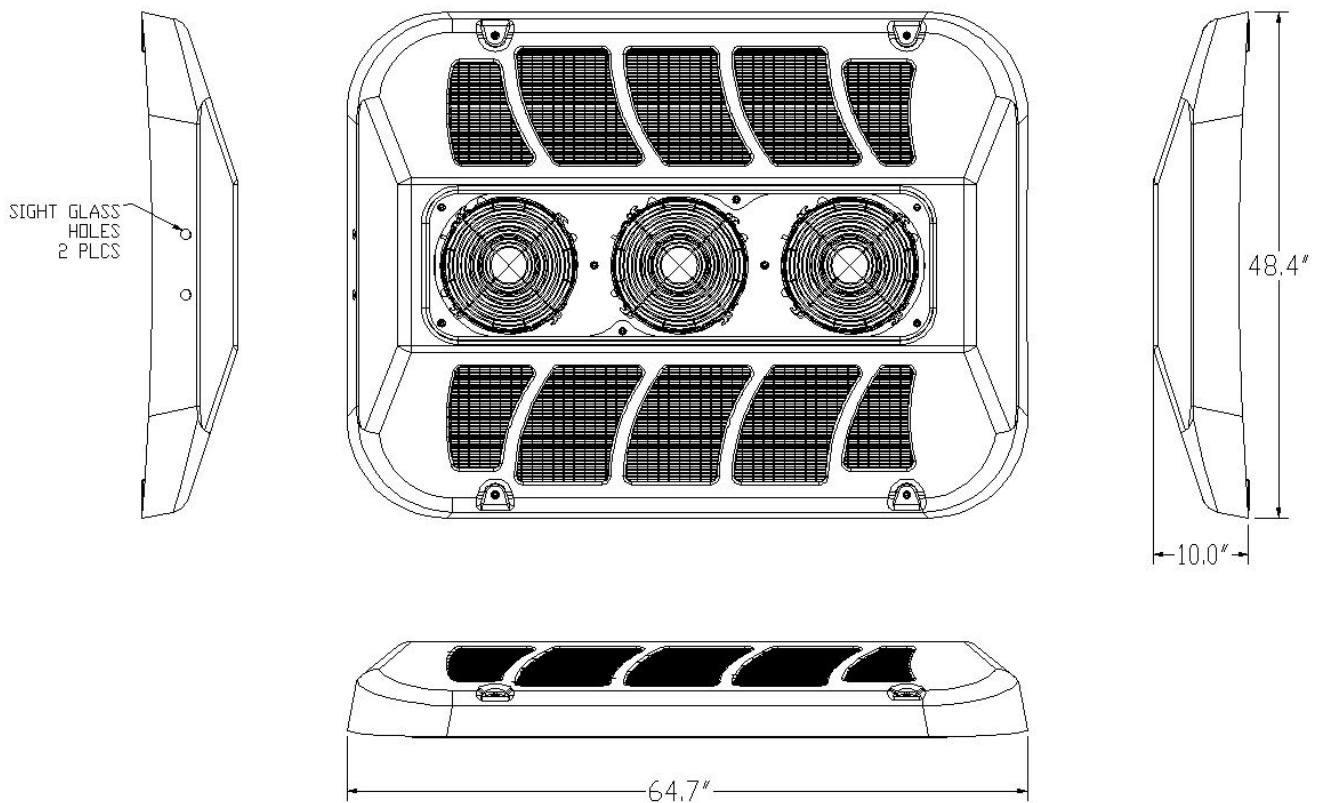
Features

Benefits

<ul style="list-style-type: none"> • Designed for use with R134a Refrigerant 	<ul style="list-style-type: none"> • Lower cost, less system weight, environmentally friendly
<ul style="list-style-type: none"> • Utilizes Micro Channel Condenser Coil (MCHX) 	<ul style="list-style-type: none"> • Improved performance/efficiency, reduced weight, reduced refrigerant charge
<ul style="list-style-type: none"> • Powder coated galvanized steel frame 	<ul style="list-style-type: none"> • Increased strength and durability
<ul style="list-style-type: none"> • TPO plastic cover 	<ul style="list-style-type: none"> • Durable, lightweight, flexible, UV resistant
<ul style="list-style-type: none"> • Large capacity receiver tank(s) w/sight glass 	<ul style="list-style-type: none"> • Increases charge holding capacity for system variation, ease of charge with easy to view sight glass
<ul style="list-style-type: none"> • Large capacity filter drier(s) (30 cu.in.) 	<ul style="list-style-type: none"> • Improved system reliability, cleaner dryer refrigerant and refrigerant oil
<ul style="list-style-type: none"> • Single loop version includes single liquid line service valve 	<ul style="list-style-type: none"> • Allows for low side pump down for ease of service
<ul style="list-style-type: none"> • Service-ability/Install friendly 	<ul style="list-style-type: none"> • Unit was design with install- ability and service ability in mind
<ul style="list-style-type: none"> • Multiple unit configurations available 	<ul style="list-style-type: none"> • Allow unit to be used in various applications and climates
<ul style="list-style-type: none"> • Available options and upgrades 	<ul style="list-style-type: none"> • Brushless fans, branch guards, etc

Roof Mount Condenser **CR-430**

MCC Roof Mount Condensers



Technical Data

Condensing capacity	137,000 Btu/hr (37kW) Modeled Max Capacity Condition ^[1]
Air flow	3-Fan: 3500 CFM (5950 m ³ /h) 2-Fan: 2400 CFM (4100 m ³ /h)
Refrigerant	R134a
Current	3-Fan: 47 A at 13.5 Vdc / 31 A at 27.5 Vdc 2-Fan: 31 A at 13.5 Vdc / 21 A at 27.5 Vdc
Weight	160lbs (72.5 kg)
Dimensions (LWH)	64.7" x 10" x 48.4"

[1] Max Capacity: Air in 100°F/50%RH, refrigerant 140°F DST/170°F, refrigerant exit. 0°F Sub-Cool

