



**Mobile Climate Control**

T-354PL Manual



**SERVICE PARTS  
for  
MCC MODEL Y50-13601-00**

**T-354PL**

REV. 12/2012



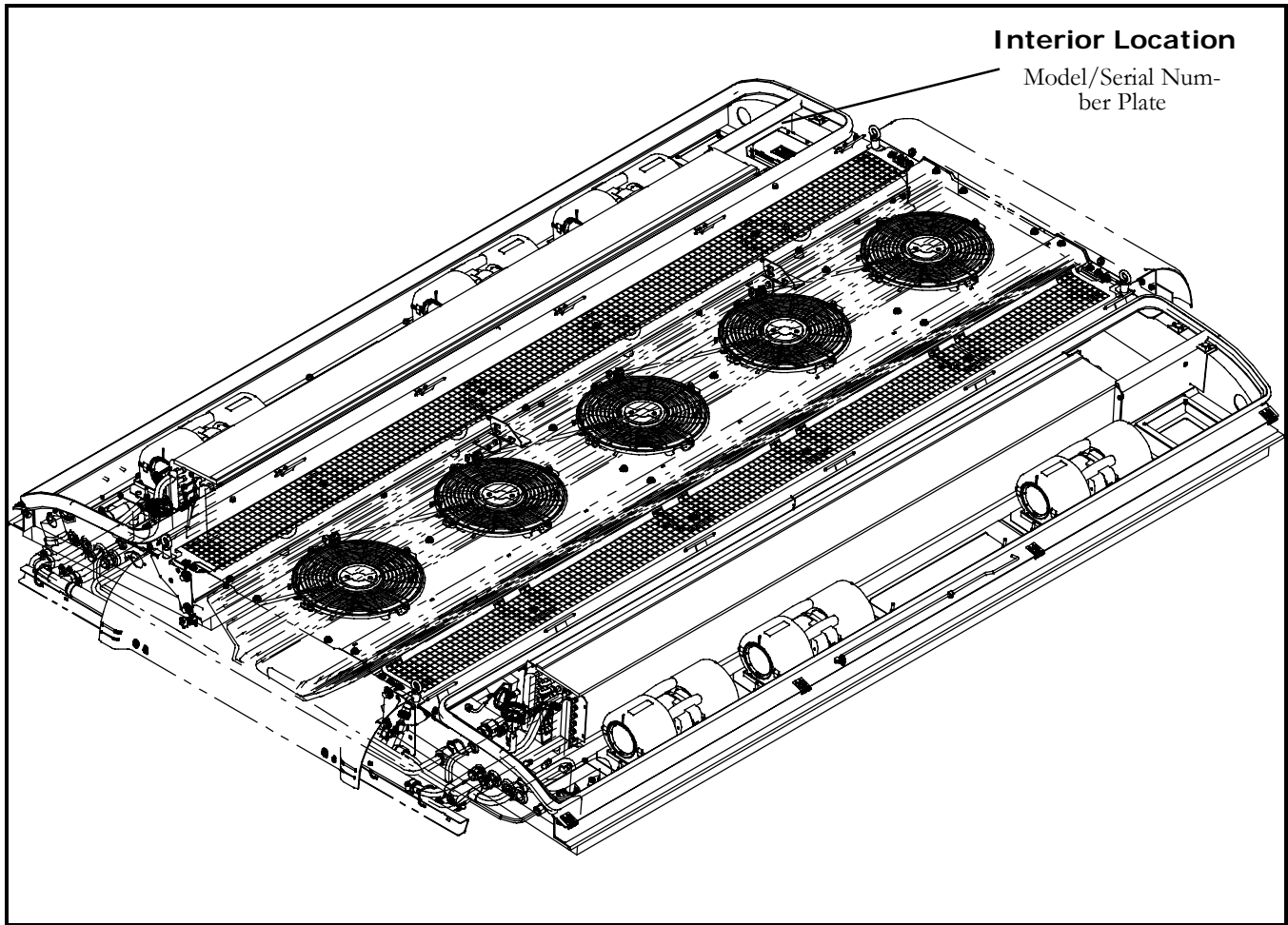
# TABLE OF CONTENTS

<b>PARAGRAPH NUMBER</b>	<b>Page</b>
PART NUMBER INDEX .....	Index-1
INTRODUCTION .....	ii
MODEL/SERIAL NUMBER PLATE LOCATION .....	ii
MODEL CHART .....	ii
ORDERING INSTRUCTIONS .....	iii
GENERAL NOTES .....	iii
1 COVER KIT, FOR MODEL Y50-13601-00 .....	1
2 EVAPORATOR KIT - CURBSIDE, EVAPORATOR KIT 77-00323-60 .....	2
2 EVAPORATOR HOUSING KIT - CURBSIDE, MODEL Y50-13601-00 - Continued: ..	3
3 EVAPORATOR KIT - ROADSIDE, EVAPORATOR KIT 77-00323-61 .....	4
3 EVAPORATOR HOUSING KIT - ROADSIDE, MODEL Y50-13601-00 - Continued: ..	5
4 CONDENSER KIT -77-62275-50 (Brushless Motors) .....	6
5 EVAPORATOR CONNECTION KIT, 77-00322-21, (REFRIGERANT) .....	7
5 EVAPORATOR CONNECTION KIT, 77-00322-21, (HEATER/COOLANT) .....	7
5.1 EVAPORATOR CONNECTION KIT, 77-00322-21, (REFRIGERANT) .....	8
5.2 EVAPORATOR CONNECTION KIT, HEATER/COOLANT ASSEMBLIES .....	9
6 ELECTRICAL KIT, 19-0731, INCLUDES: .....	10
6.1 ELECTRICAL KIT, ECC NODE ASSEMBLY, 35-0918 .....	10
6.2 ELECTRICAL KIT, I/O BOARD ASSEMBLY, 35-0921 .....	11
6.3 ELECTRICAL KIT, ECC DRIVERS DISPLAY, 35-0915 .....	12
6.4 EVAPORATOR WIRING HARNESS ,MASTER, 25-3247 .....	13
6.4 EVAPORATOR WIRING HARNESS ,MASTER, 25-3247, (CONTINUED): .....	14
6.5 EVAPORATOR WIRING HARNESS , SLAVE, 25-3248 .....	15
6.6 EVAPORATOR WIRING HARNESS , CONDENSER, 25-3249 .....	16
6.7 ELECTRICAL COMPONENTS, BLOWER INTERFACE HARNESSES .....	17
6.8 ELECTRICAL COMPONENTS, SENSORS .....	18
6.8.1 ELECTRICAL COMPONENTS, DE-ICING SENSOR .....	18
6.8.2 ELECTRICAL COMPONENTS, AIR TEMPERATURE SENSOR .....	18
6.8.3 ELECTRICAL COMPONENTS, OUTSIDE AIR TEMPERATURE SENSOR .....	19

## INTRODUCTION

The Mobile Climate Control Y50-13601 series units are of lightweight frame construction, designed to be installed on the vehicle roof. This parts list identifies service replacement parts for units found in the Model Chart.

## MODEL/SERIAL NUMBER PLATE LOCATION



## MODEL CHART

Part (Model) Number	Refrigerant	Controller	Thermostat	Filter Material	Evaporator & Condenser Motors
Y50-13601-00	R-134a	MCC	Adjustable	Natural Hair	Brushless



## **ORDERING INSTRUCTIONS**

All orders and inquiries for parts must include: Unit Serial Number, Part no., description of part as shown on list and quantity required. Parts can be ordered by going to the following website:

**[www.mcc-hvac.com](http://www.mcc-hvac.com)**

## **GENERAL NOTES**

To find replacement parts, determine major group in which replacement part is located, consult table of contents for the appropriate page for the illustrated breakdown of the replacement part. The following letter designations are used to classify parts throughout this list.

A/R *As Required*

NSA *Non-Stock Assembly* - order components listed under the assembly.

NSS *Not Sold Separately* - order next higher assembly or kit.

NS *Not Shown*

P *Painted*

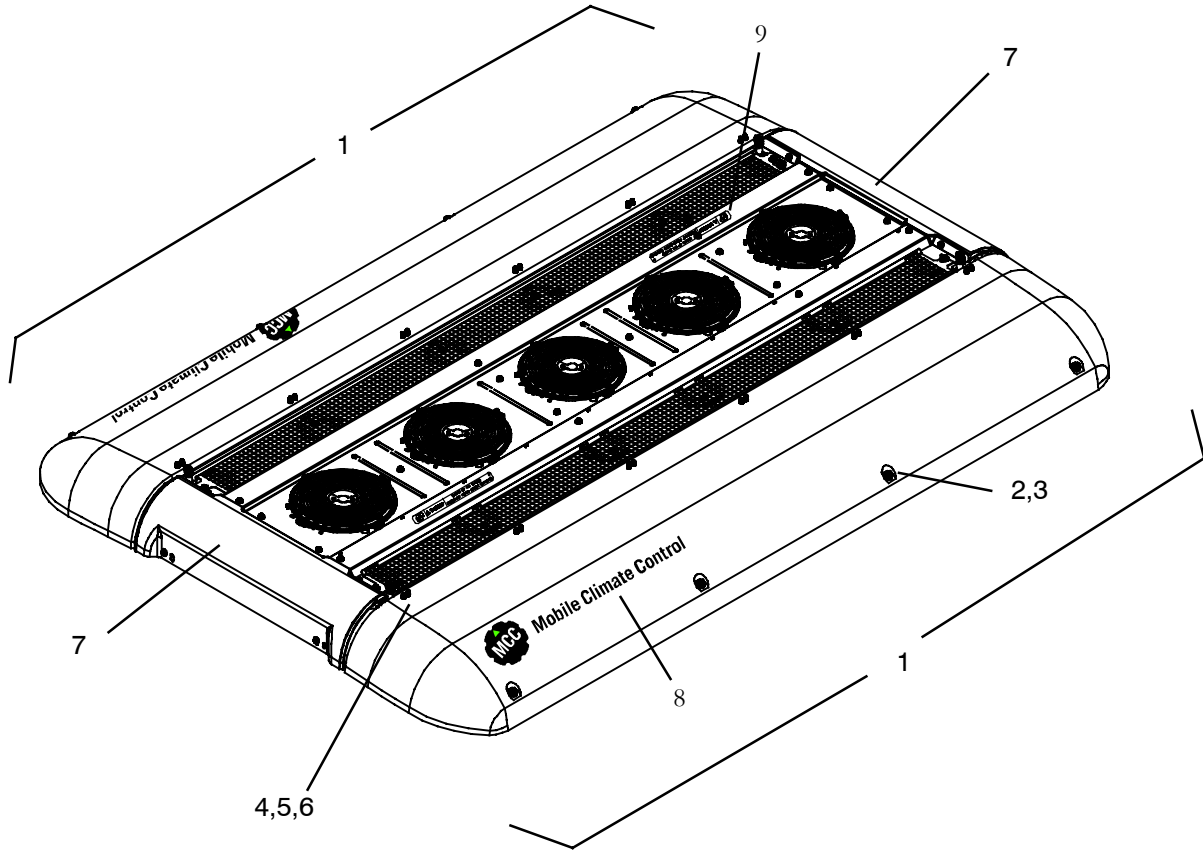
SST *Stainless Steel* - 300 Series unless otherwise specified.

SV Suffix SV added to part number designates service replacement part.

REF *Reference Only*



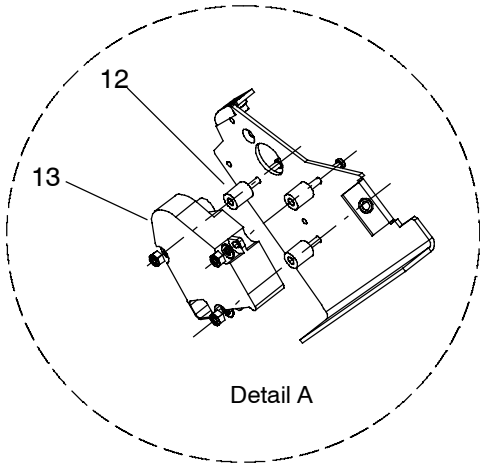
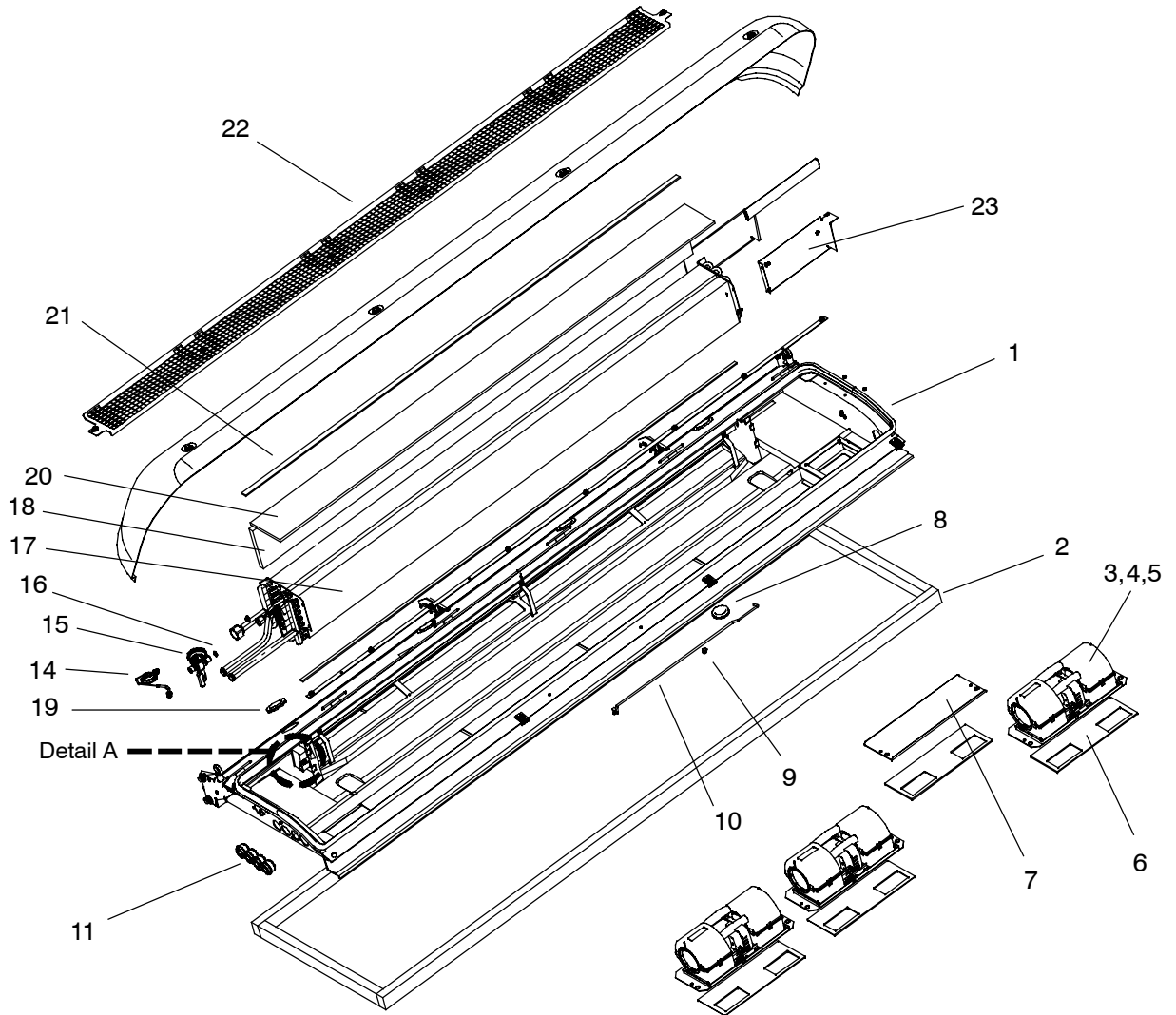
1 COVER KIT, FOR MODEL Y50-13601-00



Item	Part Number	Description	Qty
1	79-67027-04	Cover, Evaporator (Curb and Road Side) Each Includes:	2
2	34-62015-02	Stud, Captive, ¼ Turn Camloc	4
3	34-62022-00	Washer, Special Retaining	4
4	34-67006-06	Nut, Cap	12
5	34-00372-122	Washer, Lock	12
6	34-67007-06	Washer, Flat	12
7	58-62236-01	Cover, End Spoiler	2
8	56-0033	MCC Decal	2
9	62-62045-00	Warning, Fan Label	2



2 EVAPORATOR KIT - CURBSIDE, UNIT MODEL Y50-13601-00, EVAPORATOR KIT 77-00323-60

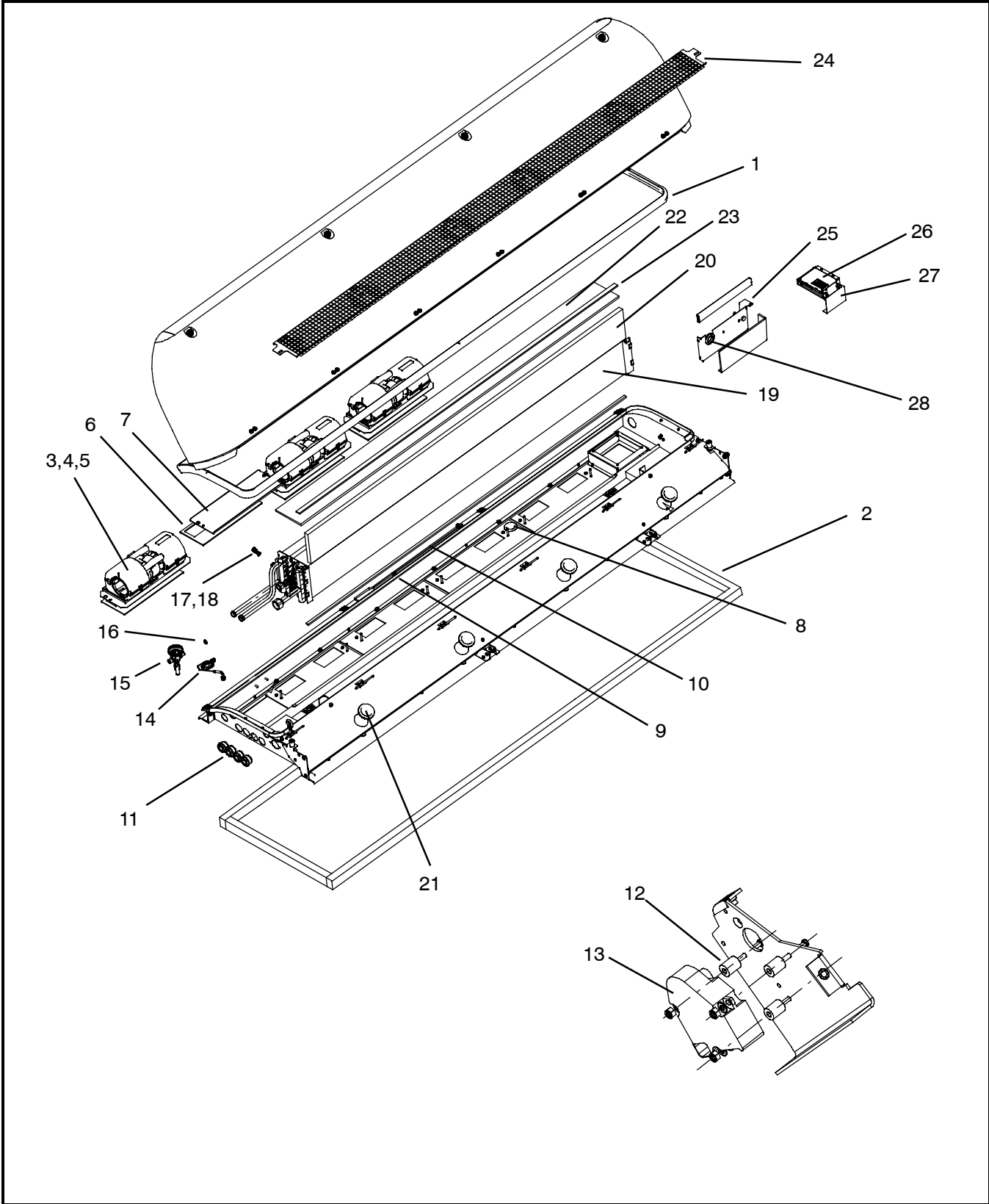




<b>2 EVAPORATOR HOUSING KIT - CURBSIDE, MODEL Y50-13601-00 - Continued:</b>			
<b>Item</b>	<b>Part Number</b>	<b>Description</b>	<b>Qty</b>
-	REF	Evaporator Kit Curbside (Includes)	-
1	42-62167-02	Seal, Base To Cover	1
2	42-62166-01	Gasket, Evaporator Base to Bus Body	1
3	79-62139-00	Blower Assembly, Brushless with Plate	3
4	54-00627-02	Blower Assembly, Brushless	3
5	68-67097-00	Plate	3
6	42-62161-00	Gasket, Double Radial Blower	4
7	68-08335-00	Blower Housing Block Off Plate	1
8	58-60302-07	Grommet, DG36	1
9	Y39-00006-00	Rod Clip, 6mm	1
10	73-62011-00	Prop Rod, Evaporator Cover	1
11	58-60298-04	Grommet, Cable Seal	4
12	Y39-00005-00	Nylon Spacer, #8 x 0.63 LG	3
13	25-2660	Motor, Fresh Air Actuator	1
14	56-62134-00	Equalizer Tube Assembly	1
15	14-00344-00	Valve, Expansion	1
16	42-00243-04	Neoprene ORFS, O-Ring	1
17	79-62149-02	Evaporator/Heat Coil Assembly	1
18	38-67004-01	Filter	1
19	58-60302-08	Grommet, DG48	4
20	42-62171-01	Gasket, Evaporator	1
21	42-01279-04	Insulation	1
22	68-63898-00	Condenser Air Intake	1
23	68-63903-00	Bracket, Evaporator Divider Curbside Front	1



**3 EVAPORATOR KIT - ROADSIDE, UNIT MODEL Y50-13601-00, EVAPORATOR KIT 77-00323-61**



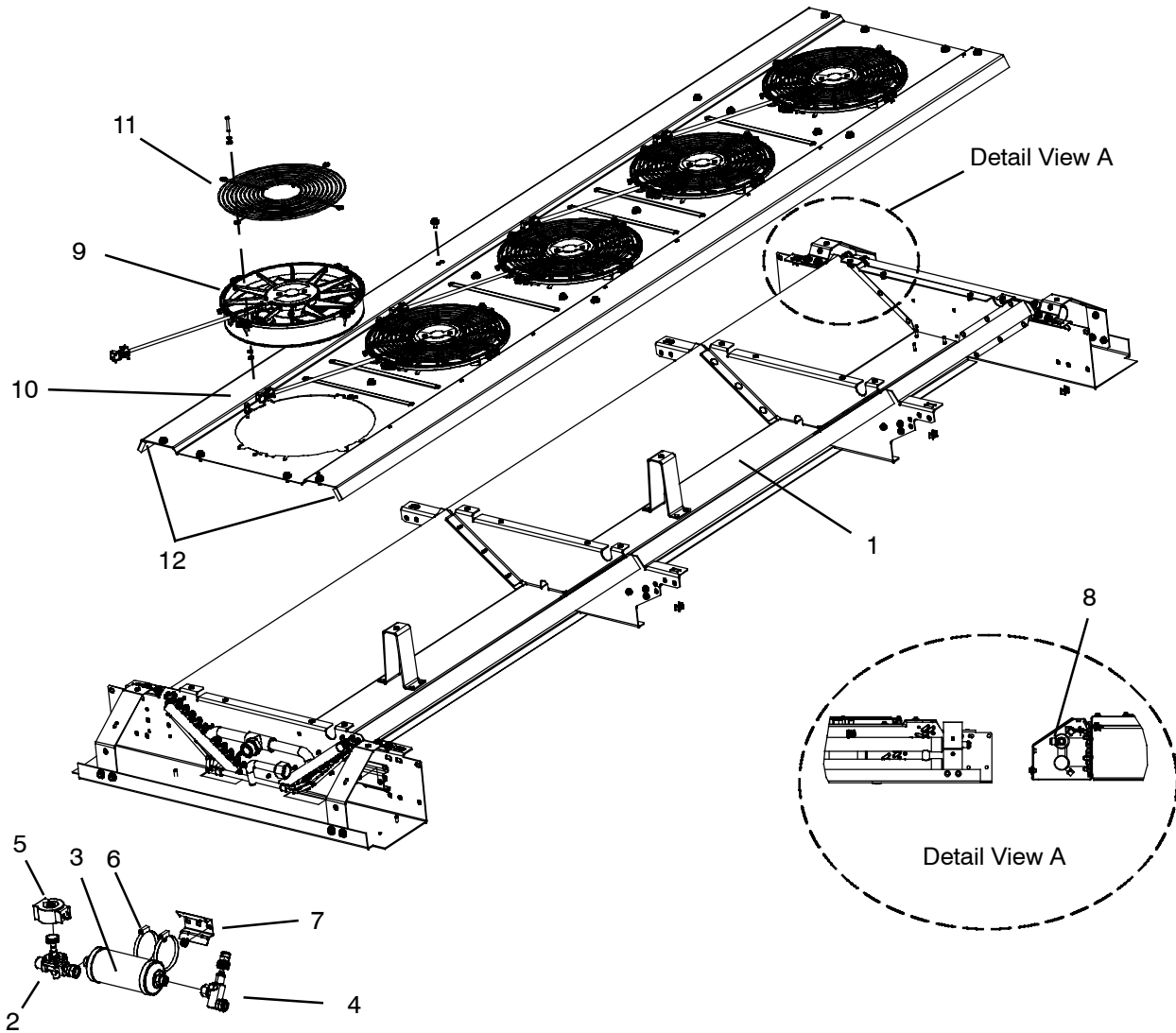




<b>3 EVAPORATOR HOUSING KIT - ROADSIDE, MODEL Y50-13601-00 - Continued:</b>			
<b>Item</b>	<b>Part Number</b>	<b>Description</b>	<b>Qty</b>
-	REF	Evaporator Kit Curbside	-
1	42-62167-02	Seal, Base To Cover	1
2	42-62166-01	Gasket, Evaporator Base to Bus Body	1
3	79-62139-00	Blower Assembly, Brushless with Plate (Includes):	3
4	54-00627-02	Blower Assembly, Brushless	3
5	68-67097-00	Plate	3
6	42-62161-00	Gasket, Double Radial Blower	4
7	68-08335-00	Blower Housing Block Off Plate	1
8	58-60302-07	Grommet, DG36	1
9	Y39-00006-00	Rod Clip, 6mm	1
10	73-62011-00	Prop Rod, Evaporator Cover	1
11	58-60298-04	Grommet, Cable Seal	4
12	Y39-00005-00	Nylon Spacer, #8 x 0.63 LG	3
13	25-2660	Motor, Fresh Air Actuator	1
14	56-62134-00	Equalizer Tube Assembly	1
15	14-00344-00	Valve, Expansion	1
16	42-00243-04	Neoprene ORFS, O-Ring	1
17	40-67038-00	Valve, Relief (Bleed Port)	1
18	42-62163-00	Washer, Copper Sealing 10mm	1
19	79-62149-03	Evaporator/Heat Coil Assembly	1
20	38-67004-01	Filter	1
21	58-60302-08	Grommet, DG48	4
22	42-62171-01	Gasket, Evaporator	1
23	42-01279-04	Insulation	1
24	68-63898-00	Condenser Air Intake	1
25	68-63903-01	Bracket, Evaporator Divider Curbside Front	1
26	REF	MCC Control Node, Electronic (See Section 6.1)	1
27	Y24-00040-00	Bracket,MCC Control Node	1
28	58-00065-11	Grommet	1



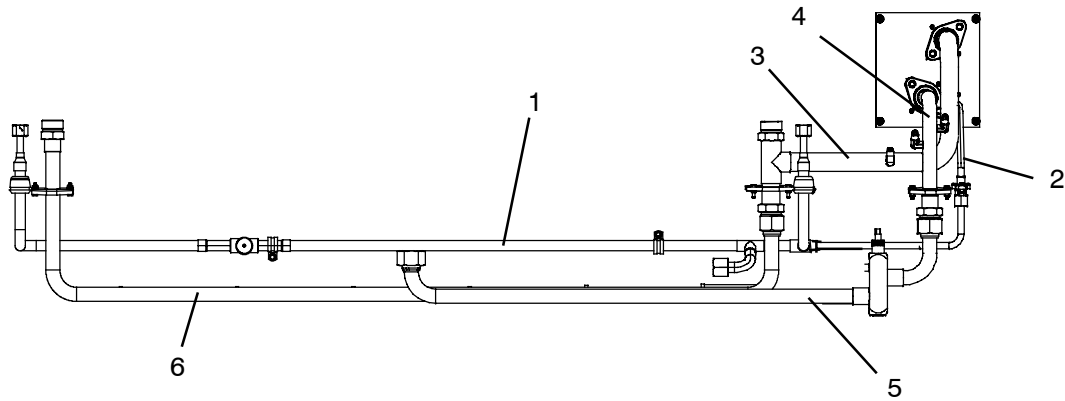
**4 CONDENSER KIT -77-62275-50 (Brushless Motors)**



Item	Part Number	Description	Qty
1	08-62008-01	Coil Assembly, Condenser	1
2	14-00246-01	Solenoid Valve, Liquid Line	1
3	14-00326-05	Filter Drier	1
4	14-00343-01	Valve, Service	1
5	22-60268-01	Coil, Solenoid	1
6	44-60045-19	Clamp, Hose	2
7	68-63911-00	Bracket, Filter Drier	1
8	14-00345-00	Valve, Relief	1
9	54-00634-00	Fan & Motor Assembly	5
10	67-01034-02	Condenser Fan Deck	1
11	73-67002-00	Grille, Condenser Fan	5
12	42-01277-05	Gasket, 30mm x 10mm x 2518mm	2

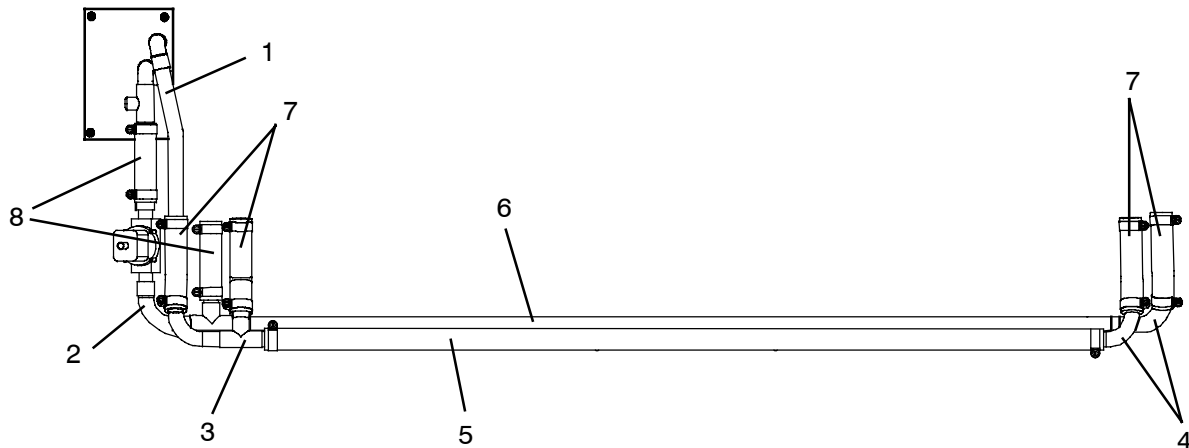


**5 EVAPORATOR CONNECTION KIT, 77-00322-21, (REFRIGERANT)**



Item	Part Number	Description	Qty
1	81-02704-01	Tube Assembly, Liquid Line (See Section 5.1)	1
2	81-02702-00	Tube Assembly, Driver's Box (See Section 5.1)	1
3	81-02703-00	Tube Assembly, Suction Port to Bulkhead (See Section 5.1)	1
4	81-02701-01	Tube Assembly, Discharge Port to Bulkhead (See Section 5.1)	1
5	81-62180-01	Tube Assembly, Discharge, Coil to Port (See Section 5.1)	1
6	81-02700-00	Tube Assembly, Coil to Suction Port (See Section 5.1)	1

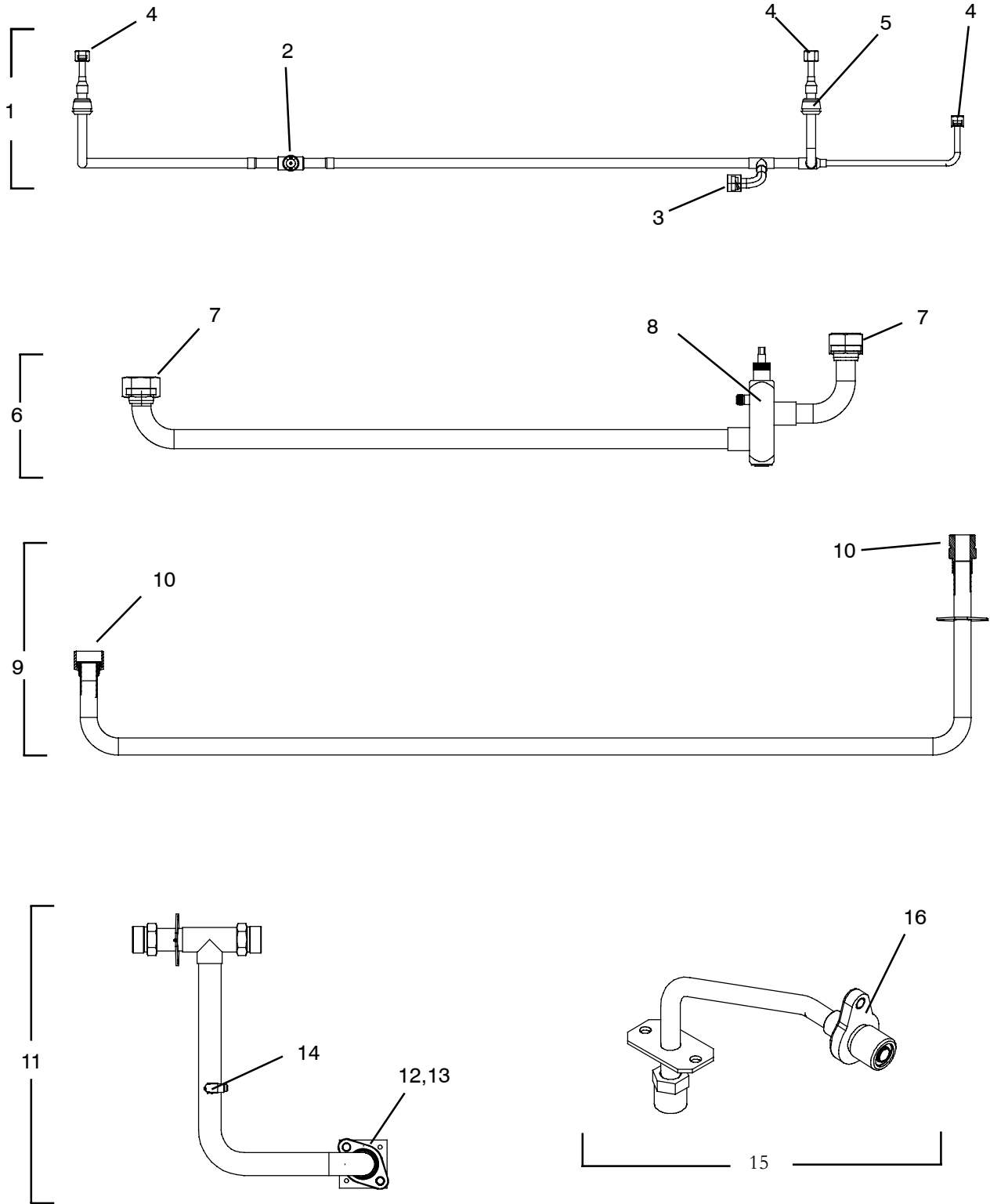
**5 EVAPORATOR CONNECTION KIT, 77-00322-21, (HEATER/COOLANT)**



Item	Part Number	Description	Qty
1	81-02699-00	Coolant Connection Assembly, Bulkhead (See Section 5.2)	1
2	Y46-00001-00	Coolant Tee Assembly with Solenoid Valve (See Section 5.2)	1
3	Y46-00002-00	Coolant Tee Assembly, Return Line (See Section 5.2)	1
4	56-67158-01	Elbow, 90 Degree, 0.88 OD, Beaded Both Ends	2
5	AC301-244	Coolant Hose, 0.88 ID	50ft. Roll
6		Coolant Hose, 0.88 ID	
7		Coolant Hose, 0.88 ID	
8		Coolant Hose, 0.88 ID	
9	44-00045-12	Clamp, Hose, #16 Stainless Steel	2



5.1 EVAPORATOR CONNECTION KIT, 77-00322-21, (REFRIGERANT)

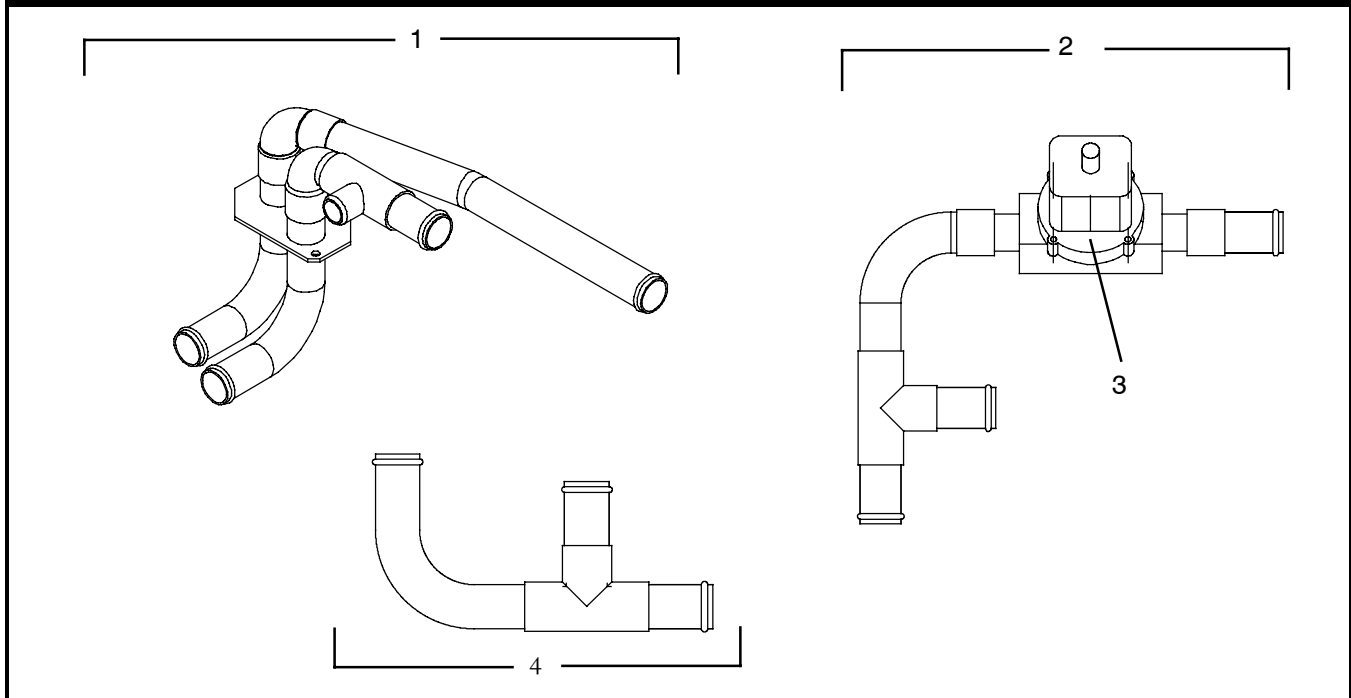




**5.1 EVAPORATOR CONNECTION KIT, REFRIGERANT PIPING ASSEMBLIES (CONTINUED):5.1**

Item	Part Number	Description	Qty
1	81-02704-01	Tube Assembly, Liquid Line, (INCLUDES):	1
2	14-01092-14	Moisture and Liquid Indicator	1
3	42-00243-10	O-ring, Neoprene, ORFS (NOT INCLUDED WITH ASSEMBLY)	1
4	42-00243-09	O-ring, Neoprene, ORFS (NOT INCLUDED WITH ASSEMBLY)	3
5	58-60298-03	Grommet, Rubber, 29MM	2
6	81-62180-01	Tube Assembly, Discharge, Coil to Port, (INCLUDES):	1
7	42-00243-16	O-ring, Neoprene, ORFS (NOT INCLUDED WITH ASSEMBLY)	2
8	40-00501-07	Service Valve, 7/8"	1
9	81-02700-00	Tube Assembly, Coil to Suction Port, (INCLUDES):	1
10	42-00243-16	O-ring, Neoprene, ORFS (NOT INCLUDED WITH ASSEMBLY)	2
11	81-02703-00	Tube Assembly, Suction Port to Bulkhead (INCLUDES):	1
12	40-00590-00	Oval, 2 Bolt Flange	1
13	68-08319-00	Plate, Flange Adaptor	1
14	14-00351-00	Schrader Valve Core	1
15	81-02703-00	Tube Assembly, Suction Port to Bulkhead (INCLUDES):	1
16	42-00243-10	O-ring, ORFS	1

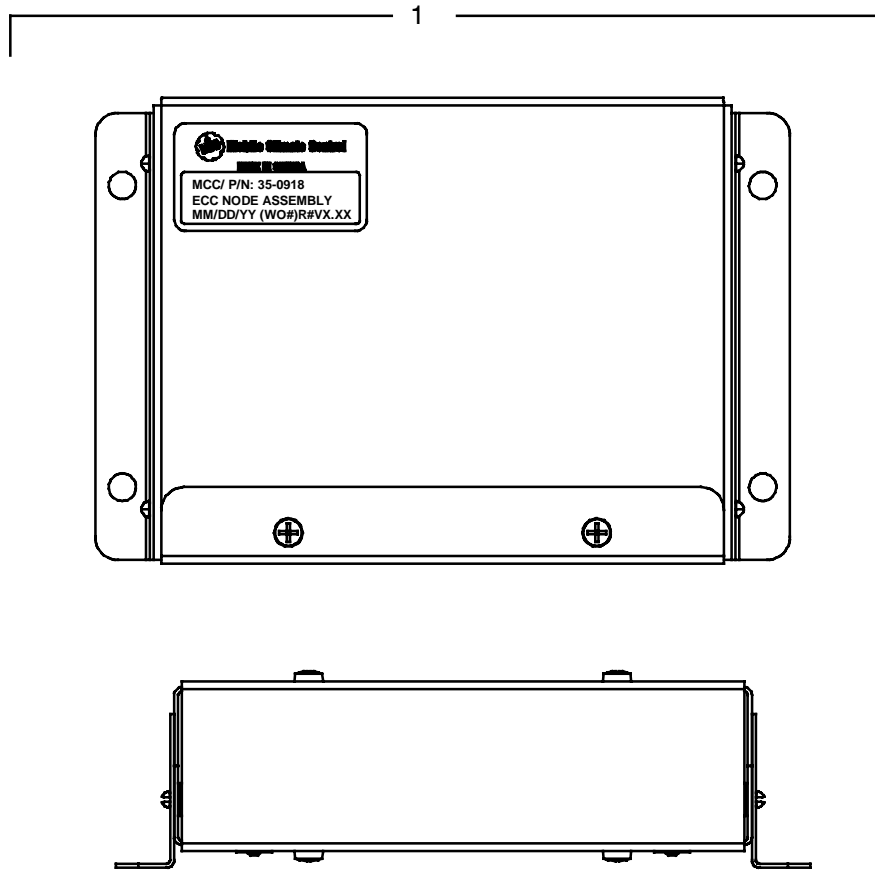
**5.2 EVAPORATOR CONNECTION KIT, HEATER/COOLANT ASSEMBLIES**



Item	Part Number	Description	Qty
1	81-02699-00	Tube Assembly, Coolant Connections, (INCLUDES):	1
2	Y46-00001-00	Tube Assembly, Tee With Solenoid	1
3	14-00231-04	Valve, Coolant	1
4	Y46-00002-00	Tube Assembly, Tee, Coolant Return	1



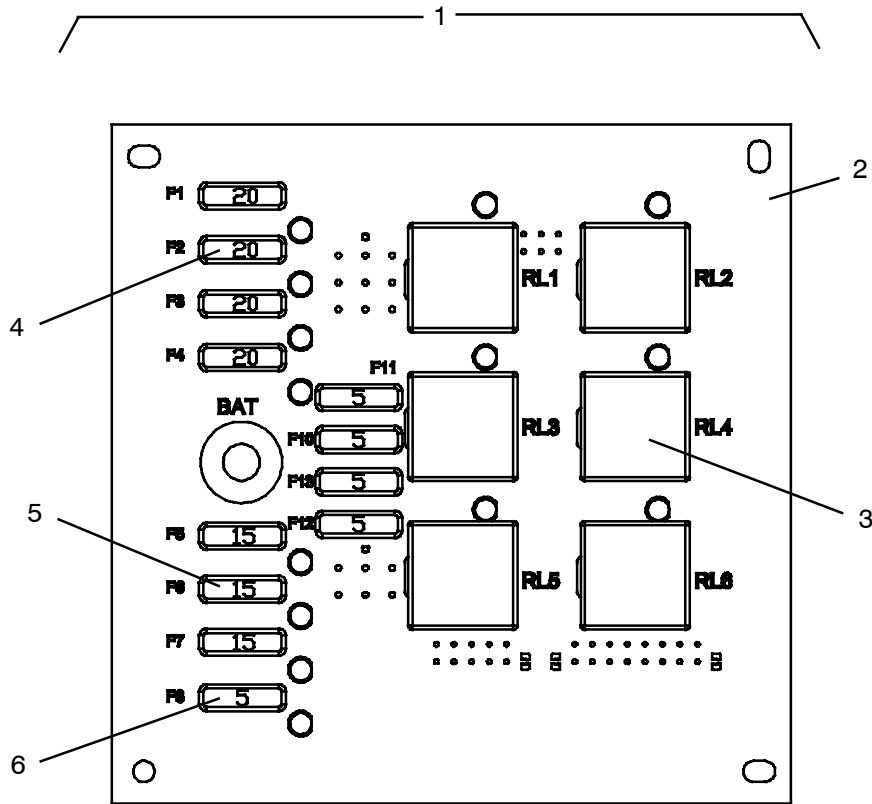
**6 ELECTRICAL KIT, 19-0731, INCLUDES:  
6.1 ELECTRICAL KIT, ECC NODE ASSEMBLY, 35-0918**



Item	Part Number	Description	Qty
1	35-0918	ECC Node Assembly	1



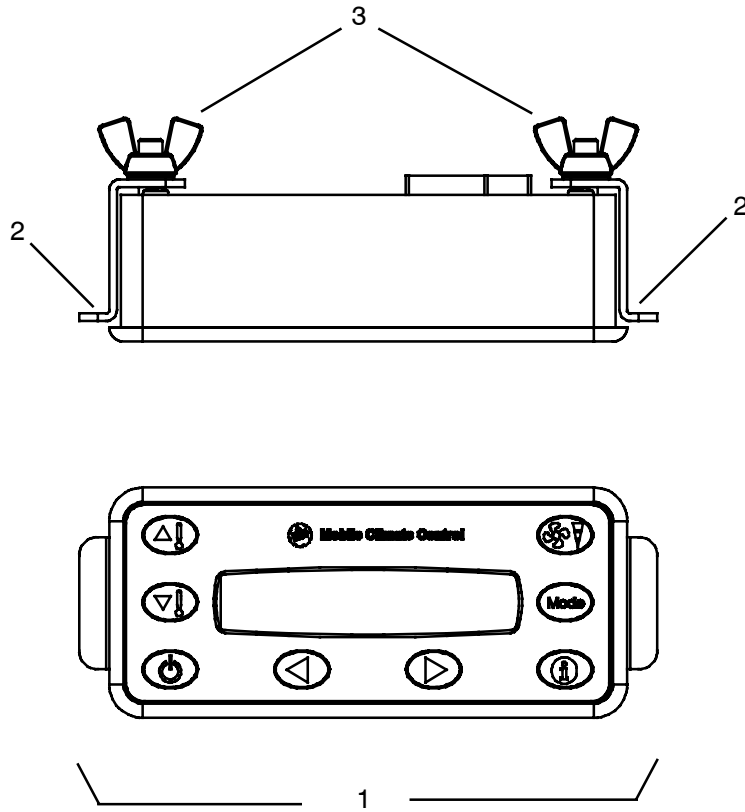
**6.2 ELECTRICAL KIT, I/O BOARD ASSEMBLY, 35-0921**



Item	Part Number	Description	Qty
1	35-0921	I/O Board Assembly, INCLUDES:	1
2	35-0920	I/O Board	1
3	25-1124	Relay, 24V	6
4	25-3160	Circuit Breaker, 20 Amp	4
5	25-3161	Circuit Breaker, 15 Amp	3
6	25-3269	Circuit Breaker, 5 Amp	5
7	29-0580	Brass Stud	1
8	29-0371	Washer, Lock	3
9	29-0327	Nut, Hex (Torque 85 in. Lbs.)	3



6.3 ELECTRICAL KIT, ECC DRIVERS DISPLAY, 35-0915

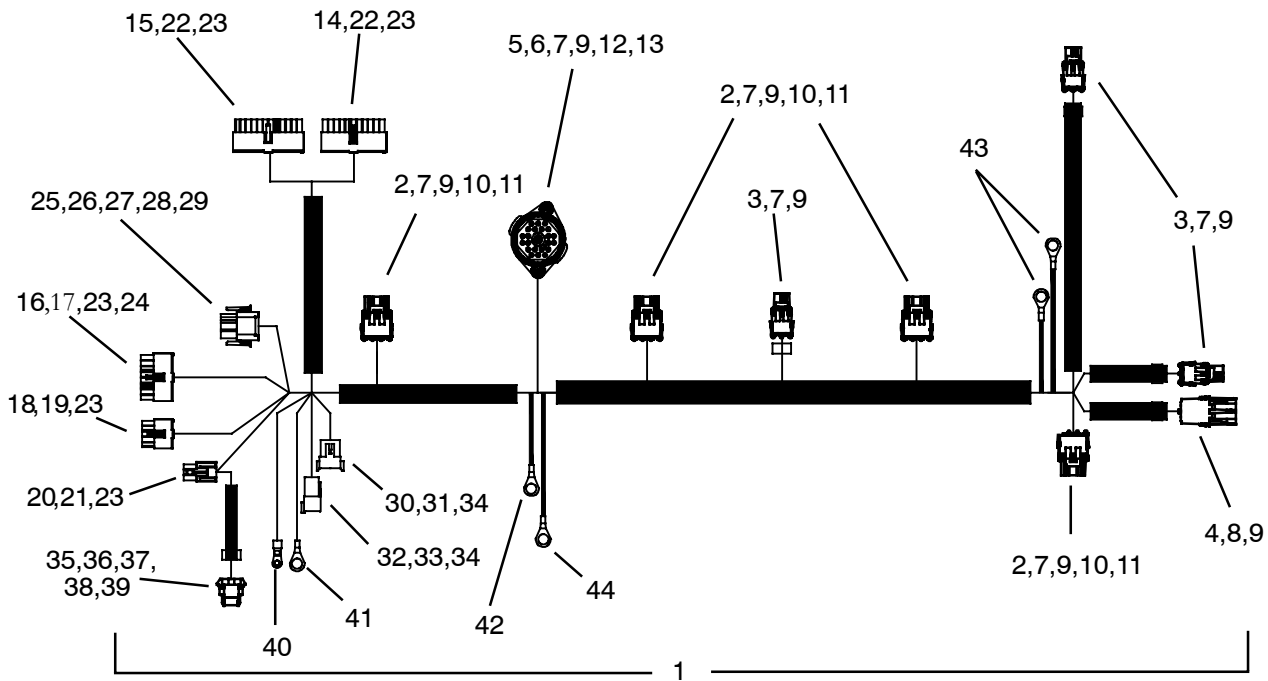


Item	Part Number	Description	Qty
1	35-0915	ECC Drivers Display Assembly, INCLUDES:	1
2	24-10006	Mounting Bracket	2
3	29-1042	1/4"- 20 Wing Nut	2





**6.4 EVAPORATOR WIRING HARNESS ,MASTER, 25-3247**



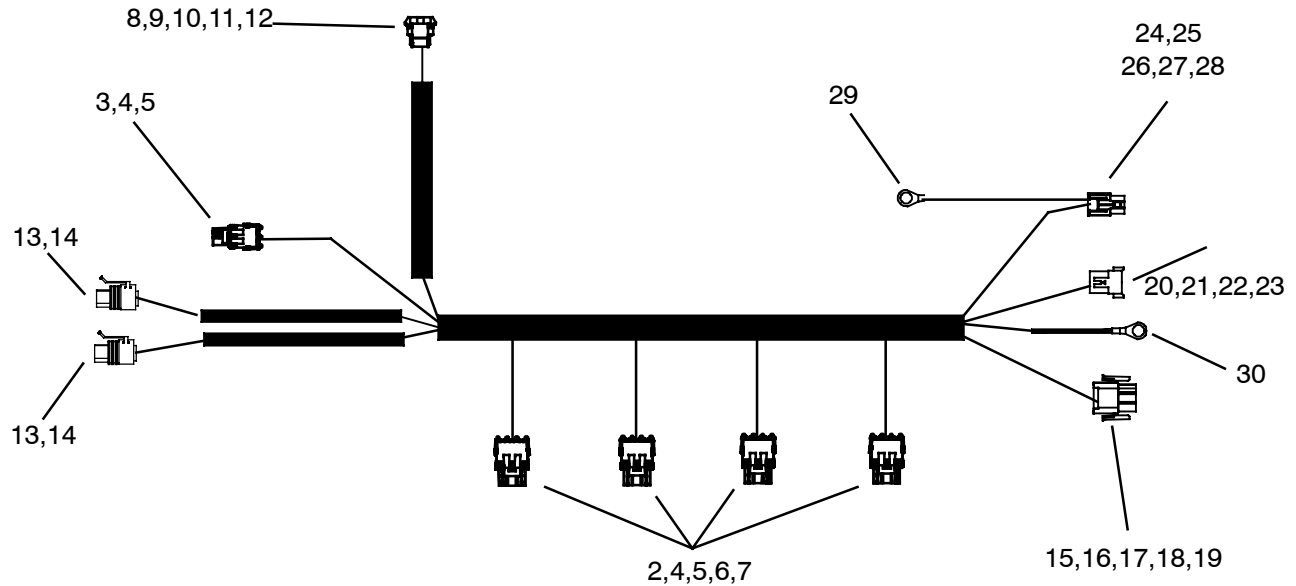
Item	Part Number	Description	Qty
1	25-3247	Evaporator Wiring Harness, Master, INCLUDES:	1
2	31-1091	Weatherpac 3 Way, Female Connector	4
3	31-1025	Weatherpac 2 Way, Female Connector	3
4	31-1068	Weatherpac 2 Way, Male Connector	1
5	31-1287	Weatherpac 22 Way, Female Connector	1
6	31-1288	Weatherpac 22 Way, Secondary Lock	1
7	31-1267	Weatherpac, Female Terminal, 18 GA	26
8	31-1266	Weatherpac, Male Terminal, 18 GA	2
9	31-1131	Weatherpac,Seal, 18 GA, (Green)	28
10	31-1215	Weatherpac, Female Terminal, 10-12 GA	8
11	31-1264	Weatherpac,Seal, 10-12 GA, (Blue)	8
12	31-1166	Weatherpac, Female Terminal, 20 GA	6
13	31-1264	Weatherpac,Seal, 20 GA	6
14	31-1468	Connector, AMP 22 Way	1
15	31-1466	Connector, AMP 24 Way	1
16	31-1820	Connector, AMP 16 Way, (Includes):	1
17	31-1800	Seal, Interface, AMP 16 Way	1
18	31-1765	Connector, AMP 10 Way, (Includes):	1
19	31-1764	Seal, Interface, AMP 10 Way	1
20	31-1612	Connector, AMP 6 Way, (Includes):	1
21	31-1613	Seal, Interface, AMP 6 Way	1
22	31-1518	AMP, Female Terminal, 20 GA	5



<b>6.4 EVAPORATOR WIRING HARNESS ,MASTER, 25-3247, (CONTINUED):</b>			
<b>Item</b>	<b>Part Number</b>	<b>Description</b>	<b>Qty</b>
23	31-1517	AMP, Female Terminal, 18 GA	50
24	31-1556	AMP, Female Terminal, 16 GA	4
25	31-1182	Connector, AMP 9 Way	1
26	31-1792	AMP, Terminal Seal, 9 Way	1
27	31-1791	AMP, Interface Seal, 9 Way	1
28	31-1248	AMP, Female Terminal, 14-20 GA	4
29	31-1054	AMP, Cavity Plug	5
30	31-1115	Deutsch, 12 Way, Receptacle Connector	1
31	31-1118	Deutsch, 12 Way, Wedge	1
32	31-1157	Deutsch, 6 Way, Receptacle Connector	1
33	31-1158	Deutsch, 6 Way, Wedge	1
34	31-1371	Deutsch, Male Pin Contact, 18 GA	15
35	31-1340	MP Connector, 6 Way	1
36	31-1388	MP Connector, 6 Way, Secondary Lock	1
37	31-1088	MP Terminal, Female, 18 GA	3
38	31-1314	MP Seal, 18 GA	3
39	31-1232	MP Cavity Plug	3
40	31-1187	Ring Terminal, 10-12 GA, 3/8"	1
41	31-1780	Ring Terminal, 6 GA, 1/2"	1
42	31-1407	Ring Terminal, 1 GA, 5/16"	1
43	31-1561	Ring Terminal, 1 GA, 3/8"	2
44	31-1825	Ring Terminal, 1GA, 1/2"	1



**6.5 EVAPORATOR WIRING HARNESS , SLAVE, 25-3248**

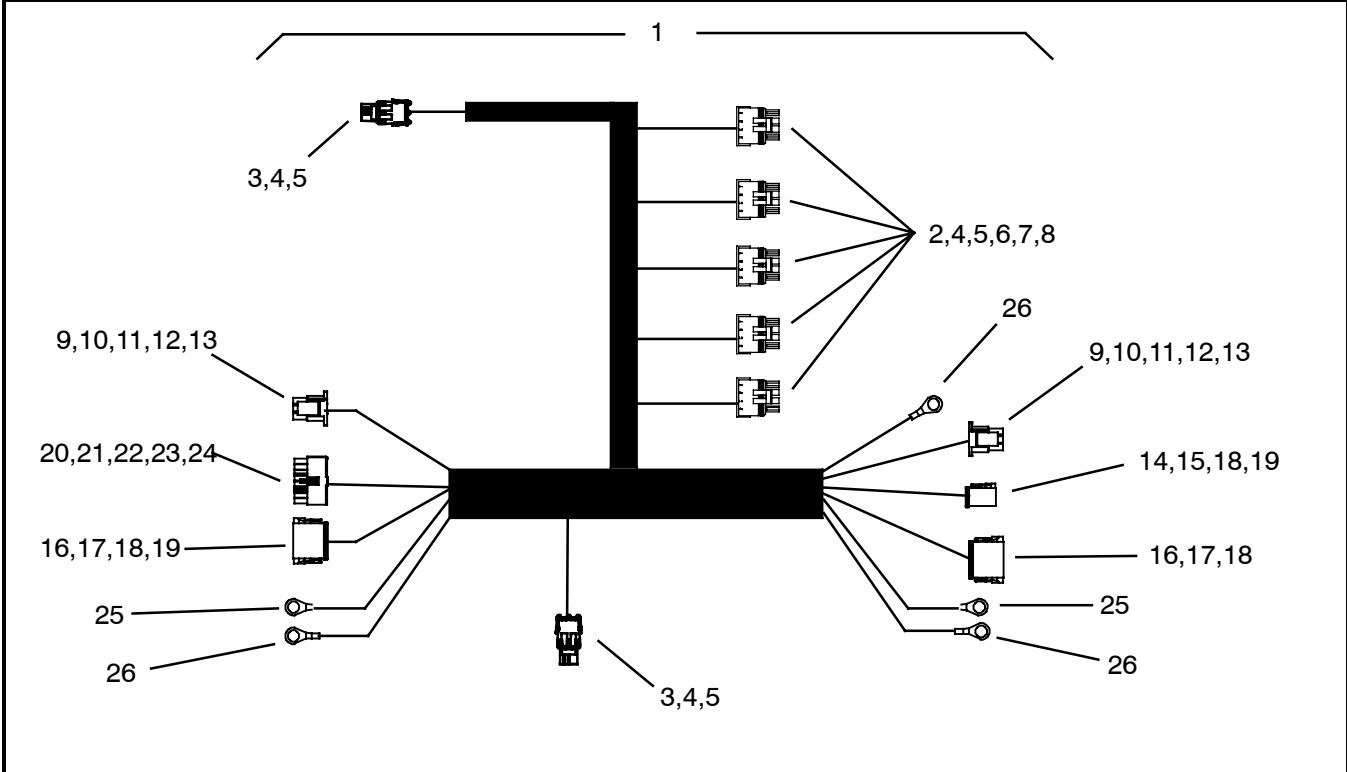


Item	Part Number	Description	Qty
1	25-3248	Evaporator Wiring Harness, Slave, INCLUDES:	1
2	31-1091	Weatherpac 3 Way, Female Connector	4
3	31-1025	Weatherpac 2 Way, Female Connector	1
4	31-1267	Weatherpac, Female Terminal, 18 GA	6
5	31-1131	Weatherpac,Seal, 18 GA, (Green)	6
6	31-1215	Weatherpac, Female Terminal, 10-12 GA	8
7	31-1264	Weatherpac,Seal, 10-12 GA, (Blue)	8
8	31-1340	MP Connector, 6 Way	1
9	31-1388	MP Connector, 6 Way, Secondary Lock	1
10	31-1088	MP Terminal, Female, 18 GA	3
11	31-1314	MP Seal, 18 GA	3
12	31-1232	MP Cavity Plug	3
13	31-1295	Connector, 3 Way Female, (Transducers)	2
14	31-1296	Terminal, Female,18 GA	6
15	31-1182	Connector, AMP 9 Way	1
16	31-1792	AMP, Terminal Seal, 9 Way	1
17	31-1791	AMP, Interface Seal, 9 Way	1
18	31-1248	AMP, Female Terminal, 14-20 GA	4
19	31-1054	AMP, Cavity Plug	5
20	31-1115	Deutsch, 12 Way, Receptacle Connector	1
21	31-1118	Deutsch, 12 Way, Wedge	1
22	31-1371	Deutsch, Male Pin Contact, 18 GA	9
23	31-1054	Cavity Plug	3
24	31-1612	Connector, AMP 6 Way	1
25	31-1517	AMP, Female Terminal, 18 GA	4
26	31-1613	AMP, Interface Seal	1
27	31-1573	AMP, Terminal Seal	4



<b>6.5 EVAPORATOR WIRING HARNESS , SLAVE, 25-3248 (CONTINUED)</b>			
<b>Item</b>	<b>Part Number</b>	<b>Description</b>	<b>Qty</b>
28	31-1763	AMP, Cavity Plug	2
29	31-1402	Ring Terminal, 18 GA, 3/8"	1
30	31-1780	Ring Terminal,6 GA, 1/2"	1

**6.6 EVAPORATOR WIRING HARNESS , CONDENSER, 25-3249**



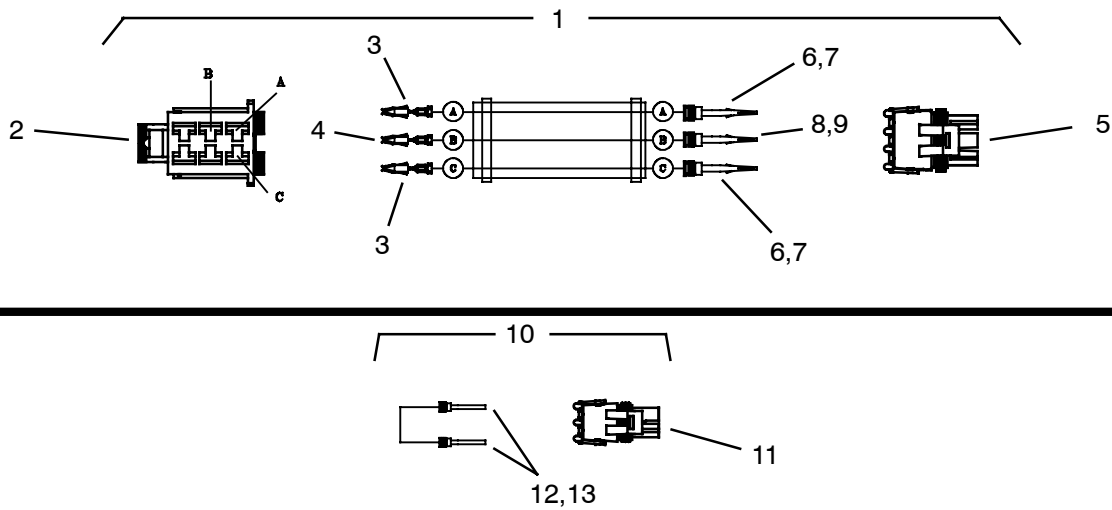
<b>Item</b>	<b>Part Number</b>	<b>Description</b>	<b>Qty</b>
1	25-3249	Condenser Wiring Harness, INCLUDES:	1
2	31-1056	Weatherpac 4 Way, Female Connector	5
3	31-1025	Weatherpac 2 Way, Female Connector	2
4	31-1267	Weatherpac, Female Terminal, 18 GA	9
5	31-1131	Weatherpac,Seal, 18 GA, (Green)	9
6	31-1215	Weatherpac, Female Terminal, 10-12 GA	10
7	31-1264	Weatherpac,Seal, 10-12 GA, (Blue)	10
8	31-1105	Weatherpac,Cavity Plug	5
9	31-1603	Connector, AMP 6 Way	2
10	31-1604	Terminal Seal, AMP 6 Way	2
11	31-1606	Interface Seal, AMP 6 Way	2
12	31-1054	Cavity Plug, AMP 6 Way	7
13	31-1248	Terminal, Female, AMP 14-20 GA	5
14	31-1159	Deutsch, 6 Way, Receptacle Connector	1
15	31-1160	Deutsch, 6 Way, Wedge	1
16	31-1116	Deutsch, 12 Way, Receptacle Connector	2
17	31-1117	Deutsch, 12 Way, Wedge	2
18	31-1372	Deutsch, Female Socket Contact, 18 GA	25



**6.6 EVAPORATOR WIRING HARNESS , CONDENSER, 25-3249 (CONTINUED)**

Item	Part Number	Description	Qty
19	31-1054	Deutsch,Cavity Plug	5
20	31-1820	Connector, AMP, 16 Way	1
21	31-1800	Interface Seal	1
22	31-1517	Terminal, Female, AMP 20-18 GA	5
23	31-1573	Terminal Seal	5
24	31-1763	Cavity Plug	11
25	31-1273	Ring Terminal, 4 GA, 5/16"	2
26	31-1283	Ring Terminal, 4 GA, 1/2"	3

**6.7 ELECTRICAL COMPONENTS, EVAPORATOR BLOWER INTERFACE HARNESSES**

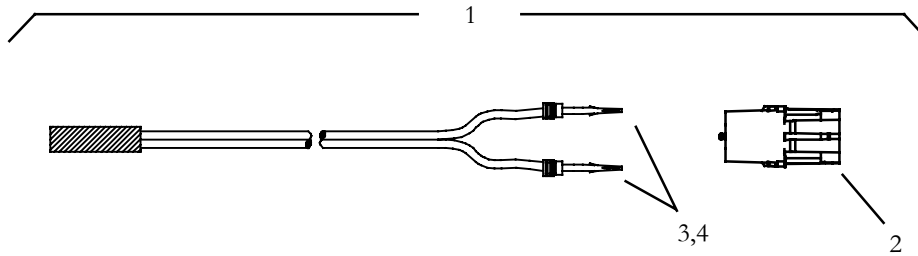


Item	Part Number	Description	Qty
1	25-3270	Harness, Evaporator Blower Interface Harness	1
2	31-1663	Junior Power Timer Connector, 6 Way	1
3	31-1674	Terminal, Female, 14 GA	2
4	31-1673	Terminal, Female, 18 GA	1
5	31-1090	Weatherpac Connector, Female, 3 Way	1
6	31-1039	Weatherpac Terminal, Male, 14 GA	2
7	31-1024	Weatherpac Seal, 14 GA, (Gray)	2
8	31-1266	Weatherpac Terminal, Male, 18 GA	1
9	31-1131	Weatherpac Seal, 18 GA, (Green)	1
10	25-3273	Harness, Jumper	1
11	31-1025	Weatherpac Connector, Female, 2 Way	1
12	31-1267	Weatherpac Terminal, Female, 18 GA	2
13	31-1131	Weatherpac Seal, 18 GA, (Green)	2



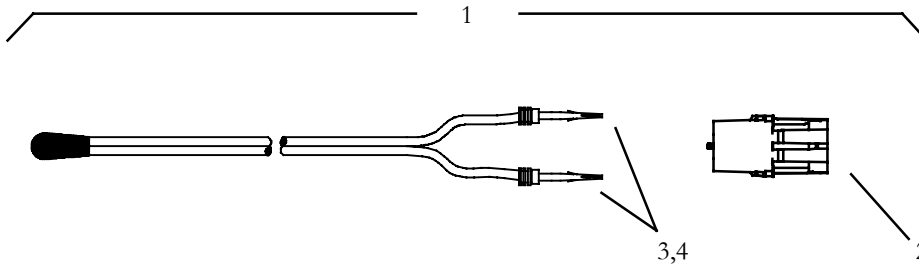
**6.8 ELECTRICAL COMPONENTS, SENSORS**

**6.8.1 ELECTRICAL COMPONENTS, DE-ICING SENSOR**



Item	Part Number	Description	Qty
1	25-3281	De-Icing Sensor Assembly (Includes):	1
2	31-1068	Weatherpac Connector, Male, 2 Way	1
3	31-1266	Weatherpac Terminal, Male, 18 GA	2
4	31-1131	Weatherpac Seal, 18 GA, (Green)	2

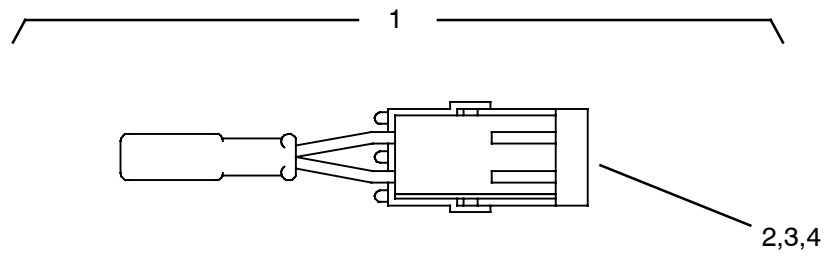
**6.8.2 ELECTRICAL COMPONENTS, AIR TEMPERATURE SENSOR**



Item	Part Number	Description	Qty
1	25-3280	Air Temperature Sensor Assembly (Includes):	1
2	31-1068	Weatherpac Connector, Male, 2 Way	1
3	31-1266	Weatherpac Terminal, Male, 18 GA	2
4	31-1131	Weatherpac Seal, 18 GA, (Green)	2



**6.8.3 ELECTRICAL COMPONENTS, OUTSIDE AIR TEMPERATURE SENSOR**



Item	Part Number	Description	Qty
1	25-0545	Outside Air Temperature Sensor Assembly	1
2	31-1068	Weatherpac Connector, Male, 2 Way	1
3	31-1039	Weatherpac Terminal, Male, 14 GA	2
4	31-1024	Weatherpac Seal, 14 GA, (Green)	2



# PART NUMBER INDEX

## 0

08-62008-01 ..... 6

## 1

14-00231-04 ..... 9  
 14-00246-01 ..... 6  
 14-00326-05 ..... 6  
 14-00343-01 ..... 6  
 14-00344-00 ..... 3, 5  
 14-00345-00 ..... 6  
 14-00351-00 ..... 9  
 14-01092-14 ..... 9

## 2

22-60268-01 ..... 6  
 24-10006 ..... 12  
 25-0545 ..... 19  
 25-1124 ..... 11  
 25-2660 ..... 3, 5  
 25-3160 ..... 11  
 25-3161 ..... 11  
 25-3247 ..... 13  
 25-3248 ..... 15  
 25-3249 ..... 16  
 25-3269 ..... 11  
 25-3270 ..... 17  
 25-3273 ..... 17  
 25-3280 ..... 18  
 25-3281 ..... 18  
 29-0327 ..... 11  
 29-0371 ..... 11  
 29-0580 ..... 11  
 29-1042 ..... 12

## 3

31-1024 ..... 17, 19

31-1025 ..... 13, 15, 16, 17  
 31-1039 ..... 17, 19  
 31-1054 ..... 14, 15, 16, 17  
 31-1056 ..... 16  
 31-1068 ..... 13, 18, 19  
 31-1088 ..... 14, 15  
 31-1090 ..... 17  
 31-1091 ..... 13, 15  
 31-1105 ..... 16  
 31-1115 ..... 14, 15  
 31-1116 ..... 16  
 31-1117 ..... 16  
 31-1118 ..... 14, 15  
 31-1131 ..... 13, 15, 16, 17, 18  
 31-1157 ..... 14  
 31-1158 ..... 14  
 31-1159 ..... 16  
 31-1160 ..... 16  
 31-1166 ..... 13  
 31-1182 ..... 14, 15  
 31-1187 ..... 14  
 31-1215 ..... 13, 15, 16  
 31-1232 ..... 14, 15  
 31-1248 ..... 14, 15, 16  
 31-1264 ..... 13, 15, 16  
 31-1266 ..... 13, 17, 18  
 31-1267 ..... 13, 15, 16, 17  
 31-1273 ..... 17  
 31-1283 ..... 17  
 31-1287 ..... 13  
 31-1288 ..... 13  
 31-1295 ..... 15  
 31-1296 ..... 15  
 31-1314 ..... 14, 15  
 31-1340 ..... 14, 15  
 31-1371 ..... 14, 15  
 31-1372 ..... 16

31-1388 ..... 14, 15  
 31-1402 ..... 16  
 31-1407 ..... 14  
 31-1466 ..... 13  
 31-1468 ..... 13  
 31-1517 ..... 14, 15, 17  
 31-1518 ..... 13  
 31-1556 ..... 14  
 31-1561 ..... 14  
 31-1573 ..... 15, 17  
 31-1603 ..... 16  
 31-1604 ..... 16  
 31-1606 ..... 16  
 31-1612 ..... 13, 15  
 31-1613 ..... 13, 15  
 31-1663 ..... 17  
 31-1673 ..... 17  
 31-1674 ..... 17  
 31-1763 ..... 16, 17  
 31-1764 ..... 13  
 31-1765 ..... 13  
 31-1780 ..... 14, 16  
 31-1791 ..... 14, 15  
 31-1792 ..... 14, 15  
 31-1800 ..... 13, 17  
 31-1820 ..... 13, 17  
 31-1825 ..... 14  
 34-00372-122 ..... 1  
 34-62015-02 ..... 1  
 34-62022-00 ..... 1  
 34-67006-06 ..... 1  
 34-67007-06 ..... 1  
 35-0915 ..... 12  
 35-0918 ..... 10  
 35-0920 ..... 11  
 35-0921 ..... 11  
 38-67004-01 ..... 3, 5

## 4

40-00501-07 ..... 9





# PART NUMBER INDEX

40-00590-00 ..... 9  
 40-67038-00 ..... 5  
 42-00243-04 ..... 3, 5  
 42-00243-09 ..... 9  
 42-00243-10 ..... 9  
 42-00243-16 ..... 9  
 42-01277-05 ..... 6  
 42-01279-04 ..... 3, 5  
 42-62161-00 ..... 3, 5  
 42-62163-00 ..... 5  
 42-62166-01 ..... 3, 5  
 42-62167-02 ..... 3, 5  
 42-62171-01 ..... 3, 5  
 44-00045-12 ..... 7  
 44-60045-19 ..... 6

## 5

54-00627-02 ..... 3, 5  
 54-00634-00 ..... 6  
 56-0033 ..... 1  
 56-62134-00 ..... 3, 5  
 56-67158-01 ..... 7  
 58-00065-11 ..... 5

58-60298-03 ..... 9  
 58-60298-04 ..... 3, 5  
 58-60302-07 ..... 3, 5  
 58-60302-08 ..... 3, 5  
 58-62236-01 ..... 1

## 6

62-62045-00 ..... 1  
 67-01034-02 ..... 6  
 68-08319-00 ..... 9  
 68-08335-00 ..... 3, 5  
 68-63898-00 ..... 3, 5  
 68-63903-00 ..... 3  
 68-63903-01 ..... 5  
 68-63911-00 ..... 6  
 68-67097-00 ..... 3, 5

## 7

73-62011-00 ..... 3, 5  
 73-67002-00 ..... 6  
 79-62139-00 ..... 3, 5  
 79-62149-02 ..... 3

79-62149-03 ..... 5  
 79-67027-04 ..... 1

## 8

81-02699-00 ..... 7, 9  
 81-02700-00 ..... 7, 9  
 81-02701-01 ..... 7  
 81-02702-00 ..... 7  
 81-02703-00 ..... 7, 9  
 81-02704-01 ..... 7, 9  
 81-62180-01 ..... 7, 9

## A

AC301-244 ..... 7

## Y

Y24-00040-00 ..... 5  
 Y39-00005-00 ..... 3, 5  
 Y39-00006-00 ..... 3, 5  
 Y46-00001-00 ..... 7, 9  
 Y46-00002-00 ..... 7, 9

# Every driver deserves the best possible vehicle climate with MCC products

MCC provides exceptional performance in mobile climate comfort.



[www.mcc-hvac.com](http://www.mcc-hvac.com)

Member of MCC Group • Certified ISO 9001 and ISO 1 4001.  
Specifications subject to change without notice. MCC is a registered trademark.